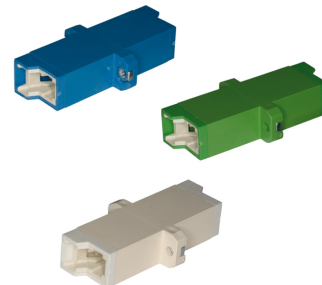
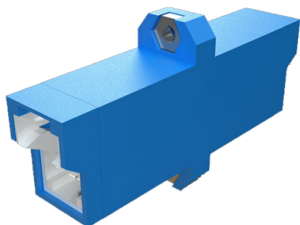


Product updated on August 15, 2018

## E2000 Adapters



Our high quality E2000 Adaptors which have high precision alignment sleeves for reliability and better reconnectability and an inbuilt mechanism to open the shutter and guide the ferrule in the alignment sleeve. E2000 Adaptors come with a ceramic sleeves for single mode and multimode. The housing is available in blue, green or beige with a flanged or flangeless body option.

### FEATURES/BENEFITS

- Complies with IEC 61754-15
- High precision alignment sleeve
- Low insertion loss and high reconnectability
- RoHS, REACH SvHC compliant
- Genuine Reichle & deMassari (R&M) products
- Huber+Suhner adaptors available on special request

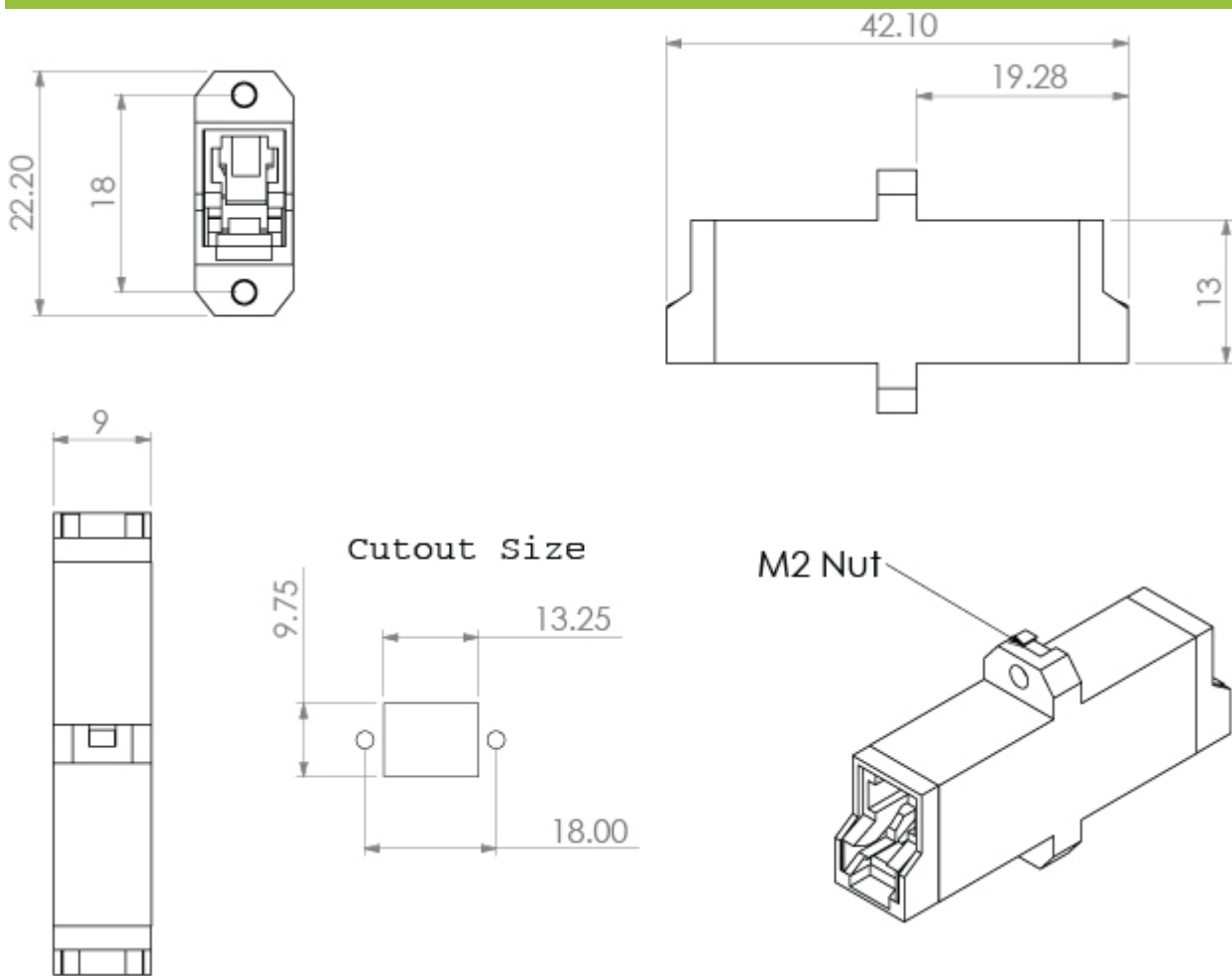
### APPLICATIONS

- Suitable for high power laser applications
- Telecommunications networks
- WDM, DWDM applications
- Testing and measurement equipment

**SPECIFICATIONS**

	CERAMIC	CONFORMANCE
Insertion Loss (Typ)	0.1 dB	IEC 61300-3-4
Mating Durability	500	IEC 61300-2-2
Receptacle Retention Force	2 N - 5.9 N	IEC 61754-20
Operating Temperature	-25 to +70 °C, 12 cycles	IEC 61300-2-22

**TECHNICAL DRAWING**



## ORDERING INFORMATION

DESCRIPTION	PART NUMBER
<b>Flange with two holes SC footprint</b>	
Single mode APC - Green	E2APCUGREEN
Single mode PC - Blue	E2UBLUE
Multimode PC - Beige	E2UBEIGE
<b>Flangeless with SC footprint</b>	
Single mode APC - Green	E2APCUGREEN/FL
Single mode PC - Blue	E2UBLUE/FL
Multimode PC - Beige	E2UBEIGE/FL



SCAN QR FOR PRODUCT PAGE

## FURTHER INFORMATION

- For additional information please contact your sales representative
- To view the product 360 visit the product page (Scan the QR code or visit the link below)
- Downloaded from <https://www.aflhyperscale.com/product/e2000-adapters>
- AFL Hyperscale reserves the right to make changes in this datasheet at any time without notice
- Information in this document is correct as of August 15, 2018

## Europe

+44 (0) 1908 441 144  
 emeasales@aflhyperscale.com  
 © AFL Hyperscale 2018

## Americas

+1 800 790 9932  
 usasales@aflhyperscale.com

## Middle East &amp; Africa

+971 4 404 9606  
 mesales@aflhyperscale.com

## India

+91 80 46874687  
 indiasales@aflhyperscale.com

## Asia Pacific

+86 755 2561 3694  
 apacsales@aflhyperscale.com