

Product updated on October 17, 2018

S01 1U Black Sliding Patch Panel - 24 Position ST/FC up to 24 fibers



This innovative, robust 1U sliding patch panel. This panel has been designed to accept up to 24 fibers housed within a 1U space. With the ability to use a full array of Adaptor types offering a flexible solution to the end user, enabling them to incorporate a multi functional panel which allow easy access during installation or re-work with no disturbance of the existing cable or fibers. In the addition to the array of adapters the panel also offers multiple cable entry solutions, up to 4 standard cable entry points for, loose tube, tight buffer, pre terminated and steel tape armored cable. Each panels has integrated strength member tie positions also with the additional removable plate at the rear of the panel allows the installation of steel tape armored cable.

FEATURES/BENEFITS

- Up to 24 fibers in 1U
- Multiple Adaptor options available
- 24 Adaptor positions
- Individually labeled ports
- 45° open working angle
- Accepts loose tube, distribution and pre terminated cables
- RoHS, REACH SvHC and UL rated
- Fits standard 19"

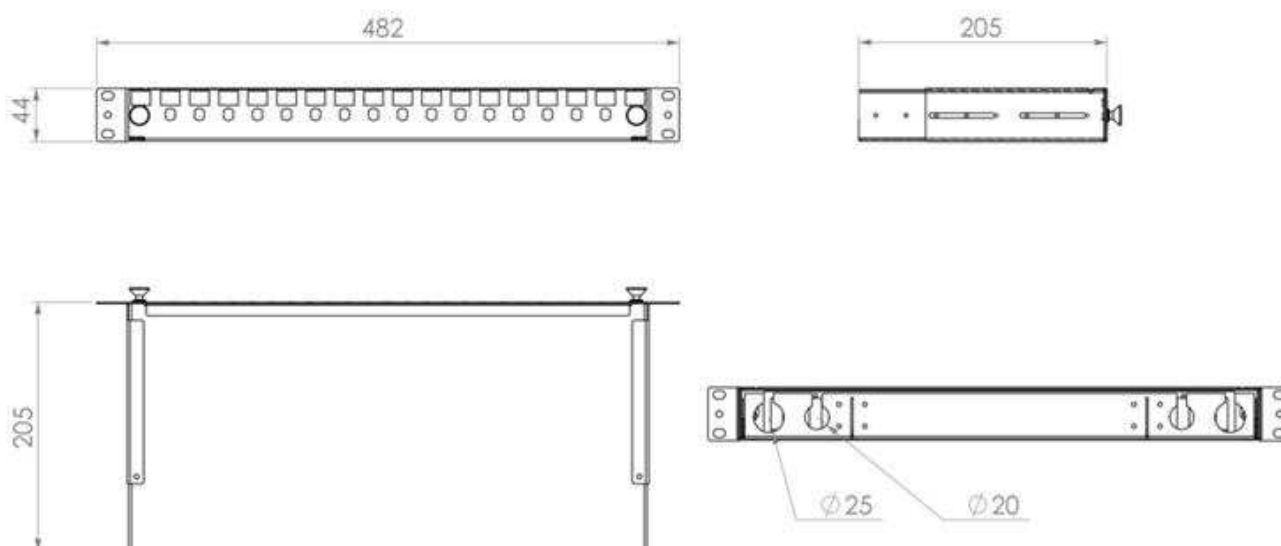
APPLICATIONS

- Data centers, premise installations, telecommunication networks
- Ethernet, Fiber Channel, ATM, LAN, MAN and WAN
- Data communication
- Indoor applications

SPECIFICATIONS

ELEMENT	CHARACTERISTIC
U Size	1U (44.4mm)
Width	482mm
Depth	205mm
Net weight	2.5 kgs
Packaged weight	3 kgs
Packaged dimensions	530mm W X 55mm H x 260mm D
IP rating	IP20
Suitable for Adaptor type	ST/ FC
Number of ports	24
Cable Entry 20mm	2
Cable entry 25mm	2
Mounting Adjustment range	50mm
Material	Cold-rolled steel
Material thickness	1.2mm
Material coating	Powder coating
Colour	RAL 9004
Operating temperature	-40°C to +50°C
Designed in accordance with	TIA/EIA 568.C, ISO/IEC 11801, EN50173, IEC60304, IEC61754,
Compliant to	RoHS, Reach/SVHC

TECHNICAL DRAWING



Drawing provided for outer dimensions only