



**Features and Benefits**

CompactLAN introduces small to medium sized businesses to the benefits of communications networking utilising a cost effective structured cabling system with minimum space requirement.

Suitable for a variety of business environments

CompactLAN is ideal for;

- Small/Home Businesses
- Company Branch Offices
- General Practitioner/Dental Surgeries
- Veterinary Practices
- Schools
- Professional Services/Consultancy firms

Featuring state-of-the-art connectivity technology, Molex Premise Networks' CompactLAN offers a complete solution for small office working, allowing the user to organise a communications network by combining functionality with aesthetics.

The CompactLAN cabinet and components are finished in dark blue, merging Molex connectivity with strong aesthetics and style.

The space saving Communications Cabinet, 8U(height) x 272mm(width) can accommodate a range of 260mm wide panels. The Cabinet is a two piece construction. The door is constructed of perspex and is both reversible and lockable. Side access allows for cable dressing.

The range of panels also includes;

- Host Panel 1U (*Supports Analogue Line & ISDN Line.*)
- 8 Port 1U ISDN Panel
- Cable Management Panels
- Cable Tidy Panels
- 8 Fibre Termination panel, MM, ST Connectors
- Hub Shelf (*Provides necessary space for active equipment*)  
(*Hub/Switch not included*)

The Category 5E data panel features the reliable, independently tested Molex Premise Networks RJ45 shuttered RJLP connector, designed to support high speed data transmission systems. All the panel and accessory products feature a quick fit, snap in fastener for easy fitting.

The Fibre Termination Panel features 8 ST Multi-Mode adapters with fibre management features pre-fitted. The panel is designed to allow remote links to be connected where environmental or distance constraints make fibre the only suitable media

As well as the CompactLAN system, Molex Premise Networks manufacture a full range of walloutlet products, patch cords and cable to complete your communication network.

- Space saving compact cabinet 8U x 272mm wide
- Dark Blue Metallic Paint Finish
- Voice, Fibre and ISDN Panels
- Cable Management and Cable Tidy Panels
- Walloutlets, Patch Cords and Cable
- Easy to install
- Offers the benefits of a structured cabling system to small business or branch offices

**Technical Information**

Cabinet and Panel Products are constructed of mild steel and finished in dark blue.

**Cabinet**

Dimensions: 360mm(H) x 272mm(W)  
x 240mm(D)

Door: Perspex

**Data Panel Category 5E**

Dimensions: 43.6mm(H) x 260mm(W)  
x 79mm(D)

Termination Tool: Molex or other industry standard tools.

IDC Termination: Suitable for 0.4mm - 0.6mm solid cable, maximum o/d 1.5mm

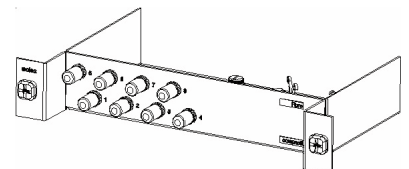
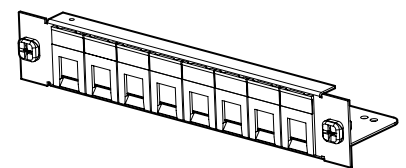
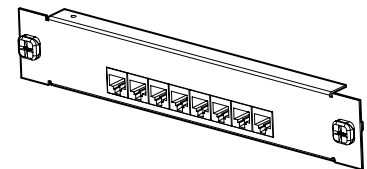
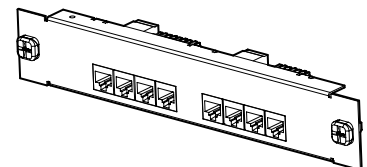
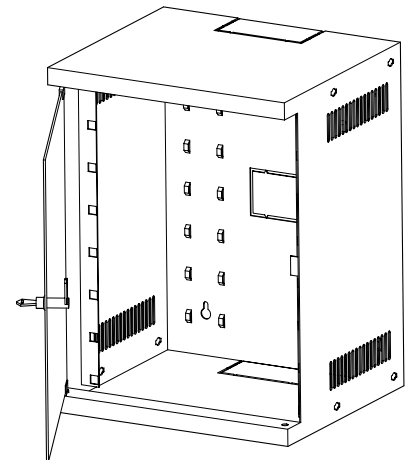
Wiring Schedule: TIA 568B

**Fibre Patch Panel**

Dimensions: 43.6mm (H) x 260mm (W)  
x 143mm (D)

Adapters: ST, Multi-Mode, Metal Bodied, Polymer Sleeve

Fibre Management: Twist locks and strength member clamp pre-fitted



**MOLEX PREMISE NETWORKS**

Molex Premise Networks  
Corporate Headquarters  
Tel: 603 324 0200  
www.molexpn.com

European Headquarters  
Tel: 44 (0) 1489 572111  
www.molexpn.co.uk

Pac - Rim Headquarters  
Tel: 61 3 9747 8322  
www.molexpn.com.au

Molex Incorporated  
Tel: 630 969 4550  
www.molex.com



**Technical Information**

**Host Panel and ISDN Panel**

Dimensions: 43.6mm (H) x 260mm (W)  
x 35mm (D)

Termination Tool: Molex or other industry  
standard installation tools

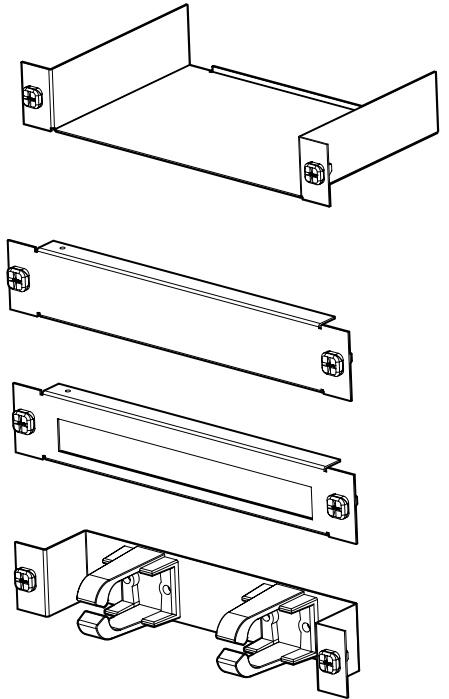
IDC Terminations: Suitable for 0.4mm -  
0.6mm solid cable, max.  
o.d. 1.5mm

**Cable Management, Tidy and Blank Panels**

Dimensions: 43.6mm (H) x 260mm (W)  
x 35mm (D)

**Hub/Switch Shelf**

Dimensions: 43.6mm (H) x 260mm (W)  
x 137mm (D)



Order No.	Description
RAA-00113	Cabinet
RAA-00114	Hub Shelf, 1U
RAA-00115	Blank Panel, 1U
CMA-00019	Ring Run Panel, 1U
CMA-00020	Brush Tidy Panel, 1U
PID-00098	ISDN Panel, 8 Port, 1U
PID-00099	CSE Data Panel, 8 Port 1U, UTP
PID-00100	Host Panel (Voice/ISDN) 8 Port, 1U
RFR-00088	Fibre Panel, 8 Port, ST Multi-Mode, 1U

**MOLEX PREMISE NETWORKS**

**Molex Premise Networks  
Corporate Headquarters**  
Tel: 603 324 0200  
www.molexpn.com

**European Headquarters**  
Tel: 44 (0) 1489 572111  
www.molexpn.co.uk

**Pac - Rim Headquarters**  
Tel: 61 3 9747 8322  
www.molexpn.com.au

**Molex Incorporated**  
Tel: 630 969 4550  
www.molex.com